

INSTALLATION GUIDE



MODEL #GV50, IV50, JV50, KV50, LV50, SV50

TOOLS NEEDED:



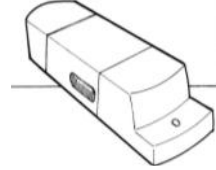
1/2" BOX END WRENCH



PHILLIP'S SCREWDRIVER



CORDLESS DRILL



STUD FINDER



6' LADDER

BOX #1-TRAY BOX



METAL BAR FOOT



MATTRESS TRAY
With Cardboard Liner
and Mattress Straps



BOLTS & WASHERS
TO MOUNT BAR FOOT



2 PISTONS
ATTACHED TO WOOD BLOCK
SCREWED INSIDE TRAY

HARDWARE BAG



8 -MACHINE BOLTS -2 5/8"



6 -WOOD SCREWS -3 1/2"



LINER SCREWS



4 -2" HEADBOARD BOLTS

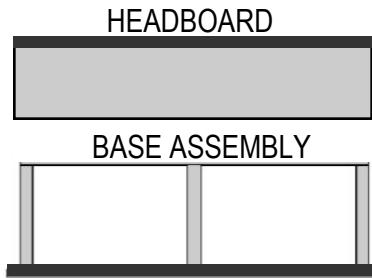


ALLEN
WRENCH



2 DECORATIVE HANDLES
WITH SCREWS-style may vary

BOX #2-CABINET BOX

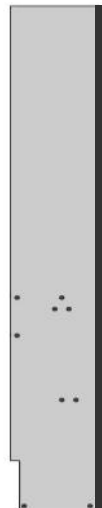


HEADBOARD

BASE ASSEMBLY



RIGHT SIDE



LEFT SIDE



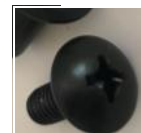
2-RECLANGULAR
AXLE PLATE



2 TRIANGLE PLATE
WITH BALL STUD



14- SLEEVES



14 -BOLTS



4 WOOD
SCREWS



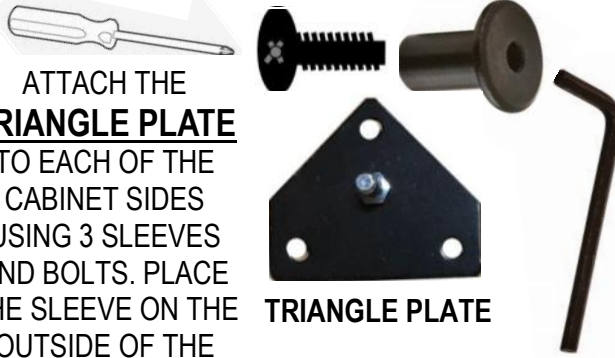
TOP ASSEMBLY

SAFETY
CABLE

Dark Edge= FINISHED EDGE

ATTACH CABINET HARDWARE

BOLT AND SLEEVE



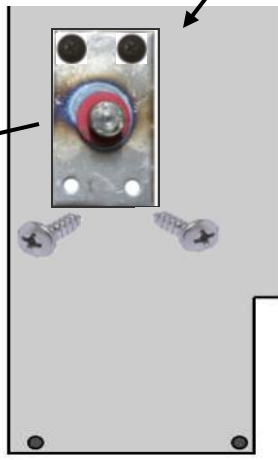
ATTACH THE TRIANGLE PLATE

TO EACH OF THE CABINET SIDES USING 3 SLEEVES AND BOLTS. PLACE THE SLEEVE ON THE OUTSIDE OF THE CABINET AND THE BOLT ON THE TRIANGLE PLATE. TIGHTEN WITH A PHILLIPS SCREWDRIVER AND THE ALLEN WRENCH.

TRIANGLE PLATE

ATTACH THE MALE PIVOT PLATE

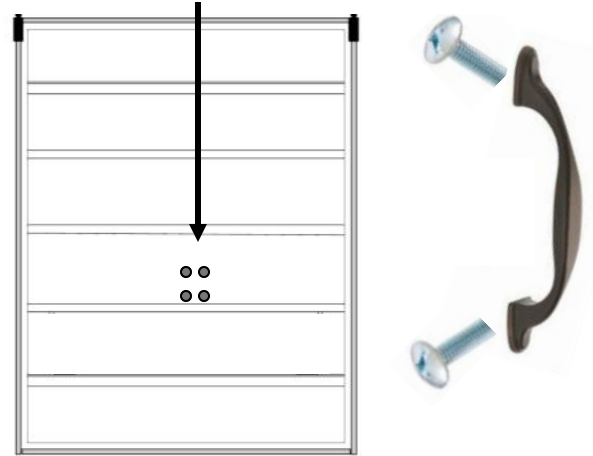
TO EACH OF THE CABINET SIDES USING 2 SLEEVES AND BOLTS. PLACE THE SLEEVE ON THE OUTSIDE OF THE CABINET AND THE BOLT ON THE TRIANGLE PLATE. TIGHTEN WITH A PHILLIPS SCREWDRIVER AND THE ALLEN WRENCH. USING THE WOOD SCREWS, SECURE THE PLATE INTO THE CABINET SIDE-THROUGH THE PLATES LOWER HOLES.



BASEBOARD NOTCH
FINISHED EDGE

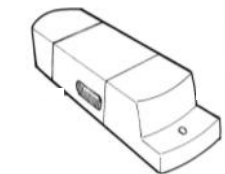
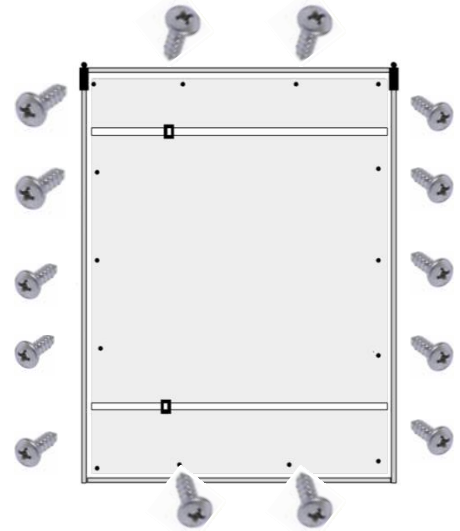
ATTACH DECORATIVE HANDLES

LIFT THE CARBOARD LINER TO SEE 4 HOLES FOR THE HANDLE SCREWS. INSERT THE HANDLE SCREWS TO ATTACH THE HANDLES ON THE FINISHED TRAY FRONT.

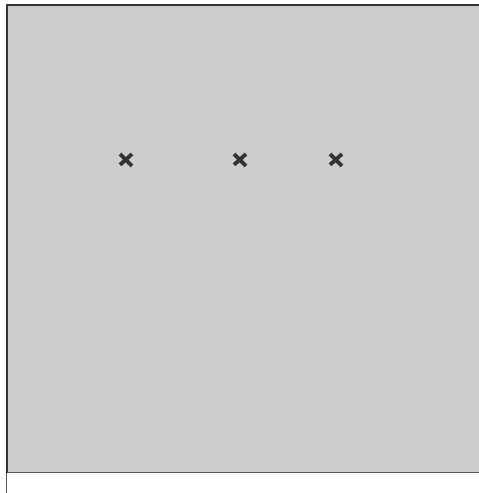


ATTACH LINER

LAY THE CARBOARD LINER INSIDE THE TRAY. ATTACH THE LINER BY SCREWING IN THE LINER SCREWS.



USING A STUD FINDER, MARK THREE STUDS IN THE WALL. BEHIND WHERE THE WALLBED WILL BE INSTALLED.

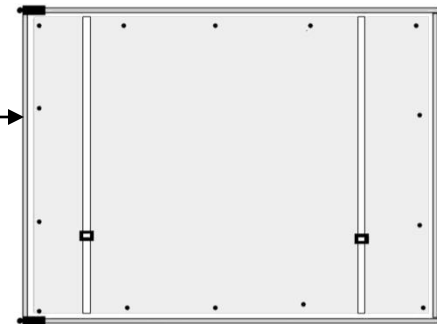


WALL

LAY TRAY ON THE FLOOR, FINISHED SIDE DOWN, WITH THE HEAD END AT LEAST 2' FROM THE WALL.

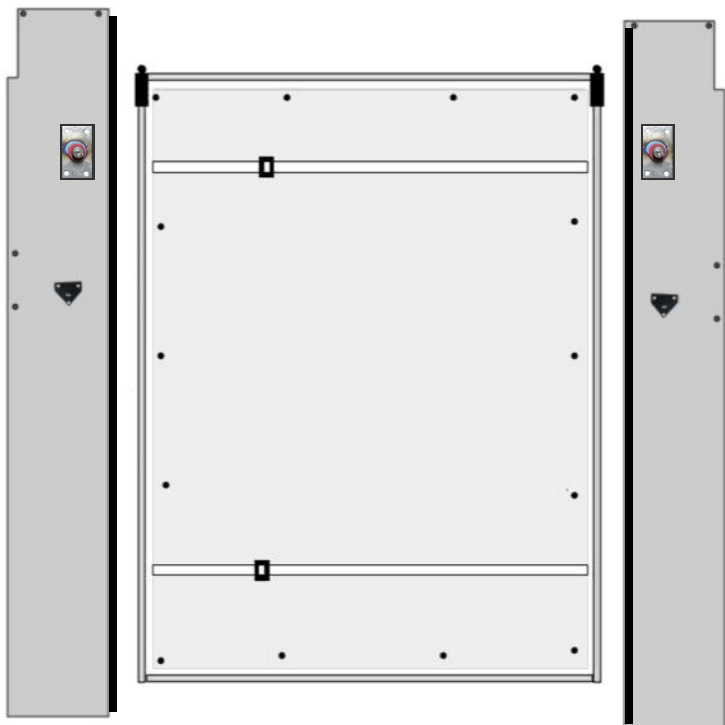


WALL

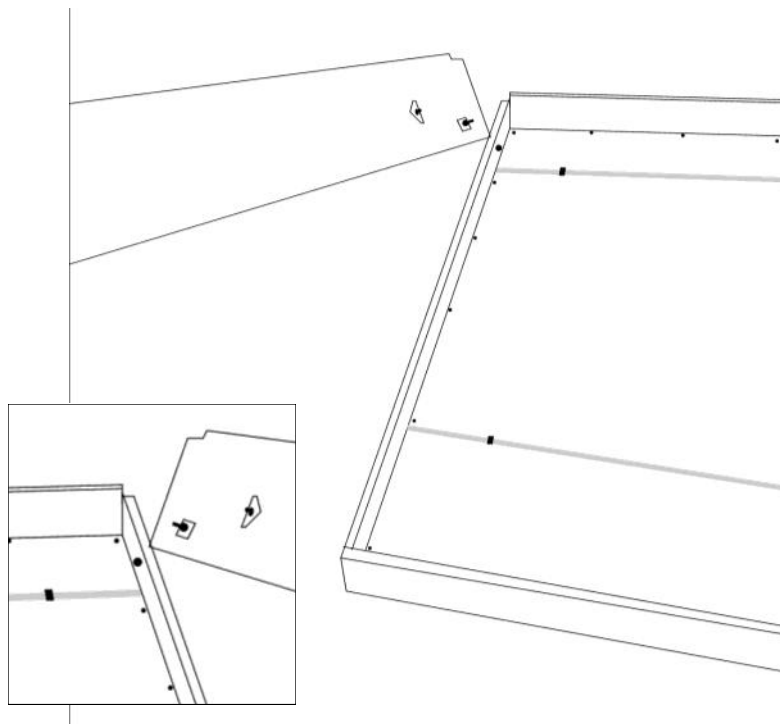


CABINET

WALL



PLACE **CABINET SIDES**, FINISHED EDGE FACING THE FLOOR, NEXT TO THE TRAY SO THE PIVOT AXELS ON THE CABINET SIDES ARE NEAR THE PIVOT HOLE PLATES ON THE TRAY. SLIDE THE AXLES INTO THE HOLES.



MOUNT THE PISTONS BY FIRST SNAPPING THE SHAFT END ONTO THE ADJUSTABLE BALL STUDS MOUNTED ON THE TRAY END. GRASP THE BARREL END OF THE PISTON AND ROTATE IT 180 DEGREES SO THE END SOCKET FACES THE BALL STUD ON THE TRIANGLE PLATE FOUND ON THE CABINET SIDE.

ADJUST BOTH BALL STUDS ON THE TRAY BY ROTATING THE BOLT HEADS WITH YOUR WRENCH TO LINE UP THE BARREL END AND BALL STUD MOUNTED ON THE SIDE PANELS. YOU WILL THEN BE ABLE TO EASILY SNAP THE BARREL END OF THE PISTONS ONTO THE BALL STUDS. **DO NOT HAMMER OR USE OTHER FORCE.** WHEN THE BALL AND PISTON END ARE LINED UP, THEY SNAP TOGETHER.

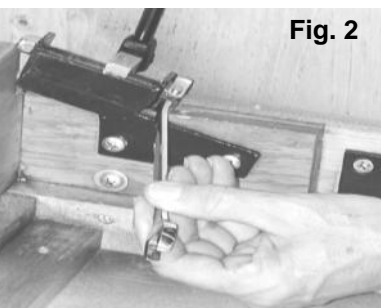
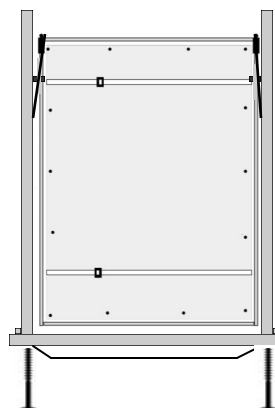
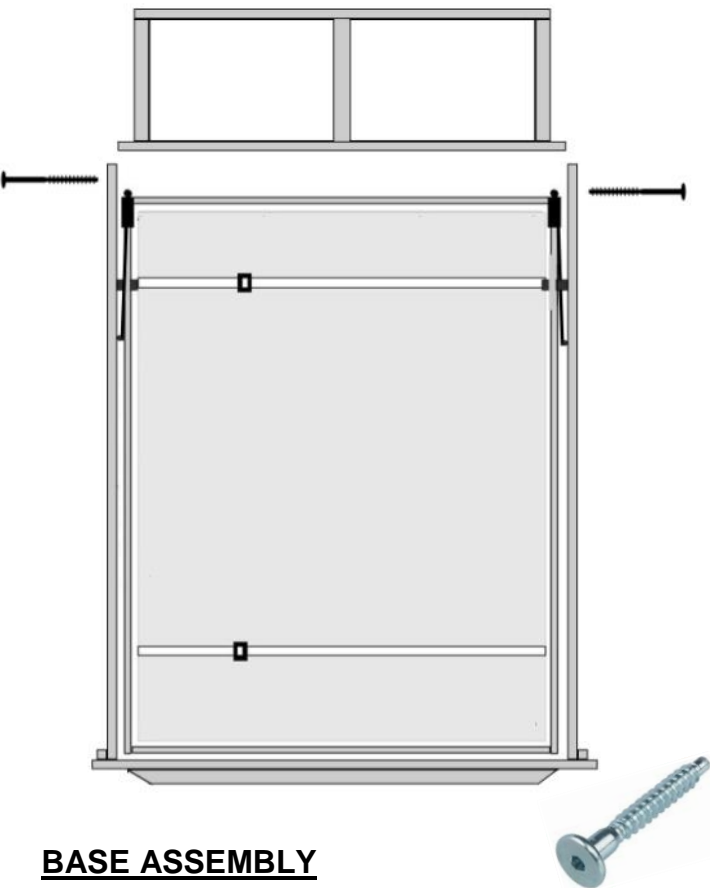


Fig. 2 **Adjust** the tray connections another 1/2" toward the foot end of the bed by turning the bolt head clockwise (Fig. 2). This will compress the piston and keep the bed firmly

TOP ASSEMBLY

PLACE THE CABINET TOP ASSEMBLY BETWEEN THE CABINET SIDES AT THE END AWAY FROM THE WALL. THE FINISHED EDGES FACING THE FLOOR AND THE TRAY. INSERT AND TIGHTEN 2 MACHINE BOLTS THROUGH THE HOLES INTO EACH SIDE OF THE TOP. **BOLTS ARE FOUND IN THE BAG ATTACHED TO THE CABINET TOP.**

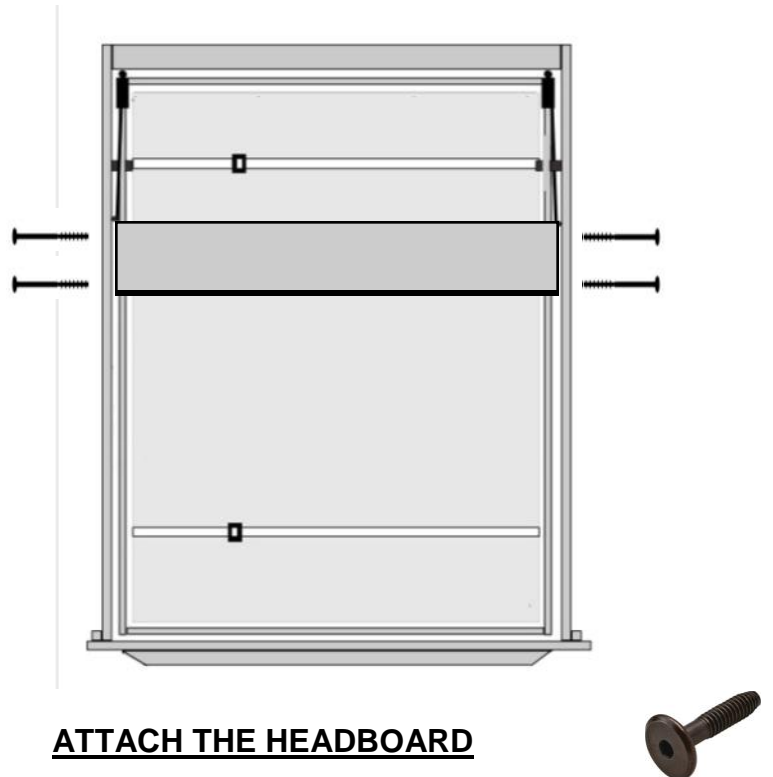




BASE ASSEMBLY

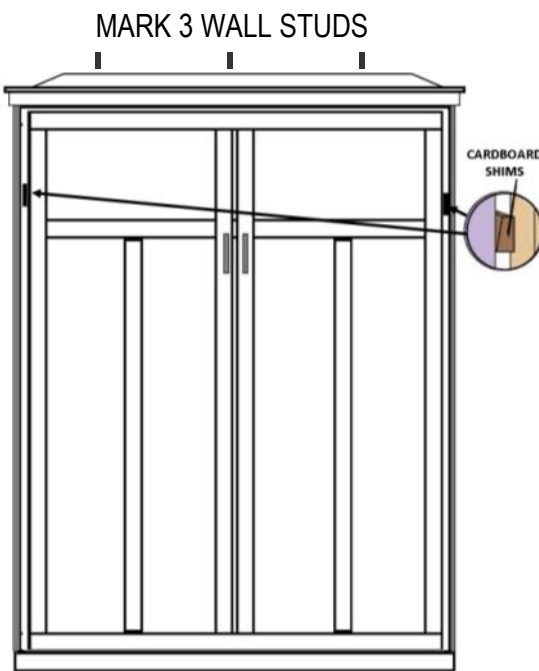
4-MACHINE BOLTS -2 5/8"

ATTACH THE BASE FRAME BETWEEN THE SIDES AT THE END CLOSEST TO THE WALL. THE FINISHED EDGE SHOULD BE FACING THE FLOOR. THE TOP EDGE SHOULD BE FLUSH WITH THE BASE ASSEMBLY. SLIP MACHINE BOLTS IN THE PRE-BORED HOLES ON THE BACK EDGE OF THE SIDES NEAR THE PISTON JOINTS.



ATTACH THE HEADBOARD

LAY THE HEADBOARD ON THE BOLTS BETWEEN THE SIDES, WITH THE FINISHED SIDE FACING THE MATTRESS AND THE FINISHED EDGE FACING THE CABINET TOP. ATTACH THE PANEL AT EACH END BY LIFTING THE END, RETRACTING THE BOLTS, LETTING THE END DOWN IN POSITION, AND STARTING THE BOLTS IN TO THE PANEL ENDS. WHEN ALL THE BOLTS ARE STARTED, TIGHTEN FIRMLY WITH THE ALLEN WRENCH.

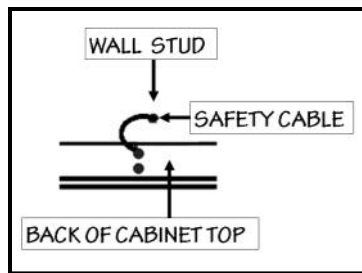


ATTACH TO THE WALL

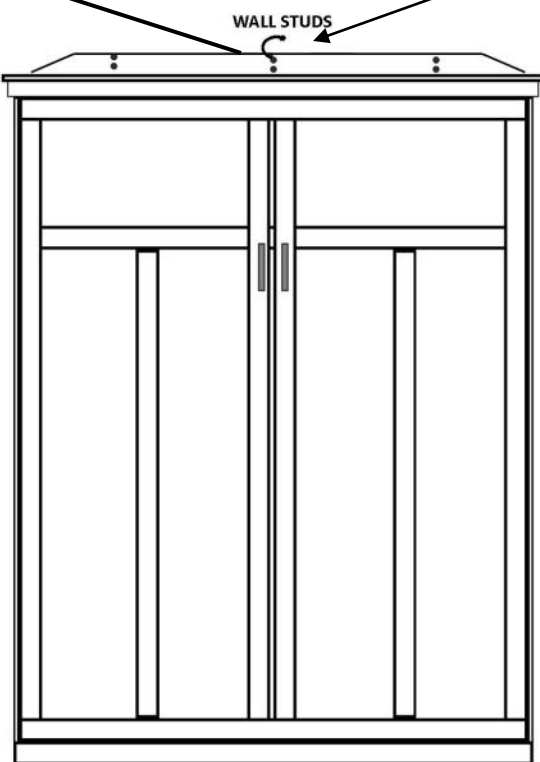
ON THE WALL LOCATION SELECTED, WITH A STUD FINDER, LOCATE 3 WOOD WALL STUDS BEHIND THE BED AND MARK THEM WITH A VERTICAL LINE EXTENDING A FEW INCHES ABOVE AND BELOW THE CABINET TOP. WITH TWO PEOPLE TILT YOUR WALLBED INTO POSITION AGAINST THE WALL, MAKING SURE THAT ALL 3 STUD LINES ARE BETWEEN THE 2 SIDE PANELS. SLIP SOME CARDBOARD BETWEEN THE CABINET SIDES ABOUT 6' UP. THESE SHIMS WILL KEEP THE BED SQUARELY ALIGNED AS YOU ATTACH IT TO THE WALL. REACH OVER THE TOP OF THE UNIT AND DRIVE 6-3 1/2" WOOD SCREWS THROUGH THE TOP ASSEMBLY BACK RAIL INTO THE WALL STUDS.



! If you are working with sheet metal studs, cinder block, brick, or concrete, you must provide three anchor points of 100 pounds strength each, before installing a Wallbed! **DO NOT ANCHOR TO SHEETROCK OR PANELLING!**



SAFETY CABLE-ATTACH CABLE TO CABINET TOP AND INTO WALL STUD



INSTALL THE SAFETY CABLE

ATTACH ONE END OF THE SAFETY CABLE TO THE CABINET BACK RAIL WITH THE 3/4" SCREW PROVIDED. LEAVING ABOUT A 3" LOOP IN THE CABLE ATTACH THE WOOD SCREW INTO THE CLOSET WALL STUD WITH THE 2" WASHER HEAD SCREW ABOUT 1" HIGHER THAN THE CABINET TOP. THE SCREW WHEN PROPERLY DRIVEN INTO THE WALL STUD SHOULD BE FAIRLY HARD TO DRIVE.

THE FUNCTION OF THE SAFETY CABLE IS TO MAKE ATTACHMENT FAILURE OF THE BED VISABLE BY ALLOWING THE BED TO COME AWAY FROM THE WALL 2 TO 3 INCHES. WHEN YOU SEE THIS CONDITION DO NOT OPEN THE BED! YOU MUST INVESTIGATE WHAT IS WRONG AND INVESTIGATE!

CHECK ALIGNMENT OF WALLBED

YOUR WALLBED SHOULD NOW BE IN LOCATION. VISUALLY CHECK THE ALIGNMENT OF THE MATTRESS TRAY AND CABINET BY LOOKING AT THE NARROW SPACE BETWEEN THE TRAY AND THE CABINET SIDES TO SEE THAT THE TRAY WILL NOT BE RUBBING EITHER SIDE PANEL. TO CORRECT ALIGNMENT, JUST NUDGE THE BASE OF THE CABINET SLIGHTLY TO EITHER SIDE. WHEN ALIGNMENT IS CORRECT HOLD THE BED OPEN, REACH IN UNDERNEATH AND DRIVE A 2 1/2" WOOD SCREW THROUGH THE FARMAE BACK RAIL INTO THE WALL OR FLOOR, AS YOU CHOOSE. THIS WILL KEEP THE CABINET FROM SHIFTING OFFLINE WITH USE.

ATTACH THE BAR FOOT

PLACE A LARGE WASHER ON THE END OF EACH SIDE. USING A SMALL WASHER WITH THE SILVER MACHINE BOLT AND THE BLACK T NUT, ATTACHED THE METAL BAR FOOT TO EACH SIDE.



INSERT THE MATTRESS

HOLD THE BED OPEN, SLIDE YOUR MATTRESS IN PLACE. AND WRAP AND BUCKLE THE RETAINER STRAPS AT THE HEAD AND THE FOOT. THESE RETAINER STRAPS ARE DESIGNED TO LIE UNDER LINENS AND NOT INTERFERE WITH THE USE OF THE BED. ANY EXCESS STRAPPING MAY BE TUCKED UNDER THE MATTRESS. **WITHOUT THESE STRAPS THE MATTRESS MAY FALL OUT OF THE TRAY TO THE FLOOR WHEN CLOSED, PREVENTING THE BED FROM OPENING. DO NOT FORCE THE BED OPEN!**



OPENING YOUR BED

IN THE CENTER ARE TWO HANDLES-GRAB THE HANDLES, AND USE YOUR BODY WEIGHT TO OPEN THE BED WITH EASE LEANING AWAY FROM THE BED. WITH THE BED HALFWAY OPEN ROTATE THE METAL BAR FOOT SO IT WILL SUPPORT THE BED OFF THE FLOOR WHEN IT IS OPEN.

IMPORTANT: ALWAYS ROTATE THE METAL BAR FOOT BACK ON TOP OF THE MATTRESS BEFORE CLOSING.

NEVER FORCE A BED OPEN! STOP INVESTIGATE AND CORRECT THE OBSTRUCTION. ON RARE OCCASION BEDDING OR THE MATTRESS ITSELF CAN SLIP DOWN TO THE FLOOR BEHIND AND JAM THE BED FROM OPENING. **DO NOT FORCE THE BED, BUT REMOVE OBSTRUCTIONS** OR RE-ADJUST BEFORE OPERATING. FORCING OPERATION CAN RESULT IN BREAKING THE TRAY STRUCTURE OR MECHANISM, LEADING TO POSSIBLE INJURY OR EXPENSIVE REPAIRS.

ADJUST AND BALANCE

IF YOUR BED DOESN'T FULLY SHUT: USE A WRENCH ON THE BOLT HEADS AT THE HEAD OF THE BED, TURNING BOTH SIDES COUNTER CLOCKWISE EVENLY TO EQUALIZE LIFT. THIS WILL INCREASE THE CLOSURE AND SLIGHTLY REDUCE THE LIFT.

IF YOUR BED WON'T STAY DOWN: THE MECHANISM REQUIRES THE WEIGHT OF THE MATTRESS TO STAY DOWN. IF THE MATTRESS IS IN PLACE, YOU MAY FURTHER REDUCE THE LIFT OF THE BED BY TURNING CLOCKWISE ON BOTH BOLT HEADS WITH YOUR WRENCH UNTIL THE BED SETTLES. IF THE BED STILL RISES, YOU MAY ADD WEIGHT TO THE FOOT OF THE BED BY ADDING WOOD OR PARTICLE BOARD UNDER THE MATTRESS DECK.

IF THE BED SEEMS HEAVY TO OPERATE: YOU MAY TURN THE ADJUSTING BOLTS COUNTER CLOCKWISE TO INCREASE THE LIFT.



NEVER BACK THE ADJUSTING BOLTS BEYOND THE "BED CLOSED" POSITION AS IT WILL LIKELY BREAK THE PISTONS OR CONNECTORS WHEN THE BED IS PUSHED CLOSED.

IF THE BED WILL NOT CLOSE ITSELF FULLY, OPEN AND ADJUST AS ABOVE.

DO NOT PUSH THE BED CLOSED

MOVING? MOVING THE FULLY ASSEMBLED WALLBED IS NOT RECOMMENDED. TO DISASSEMBLE YOUR BED-FOLLOW THESE DIRECTIONS IN REVERSE.